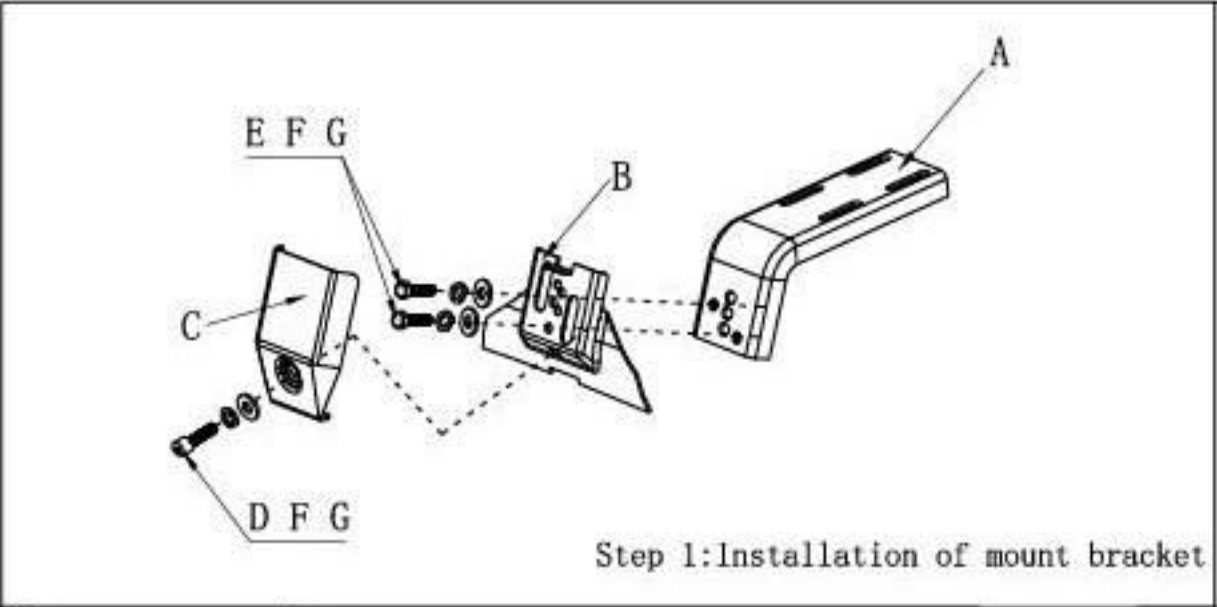
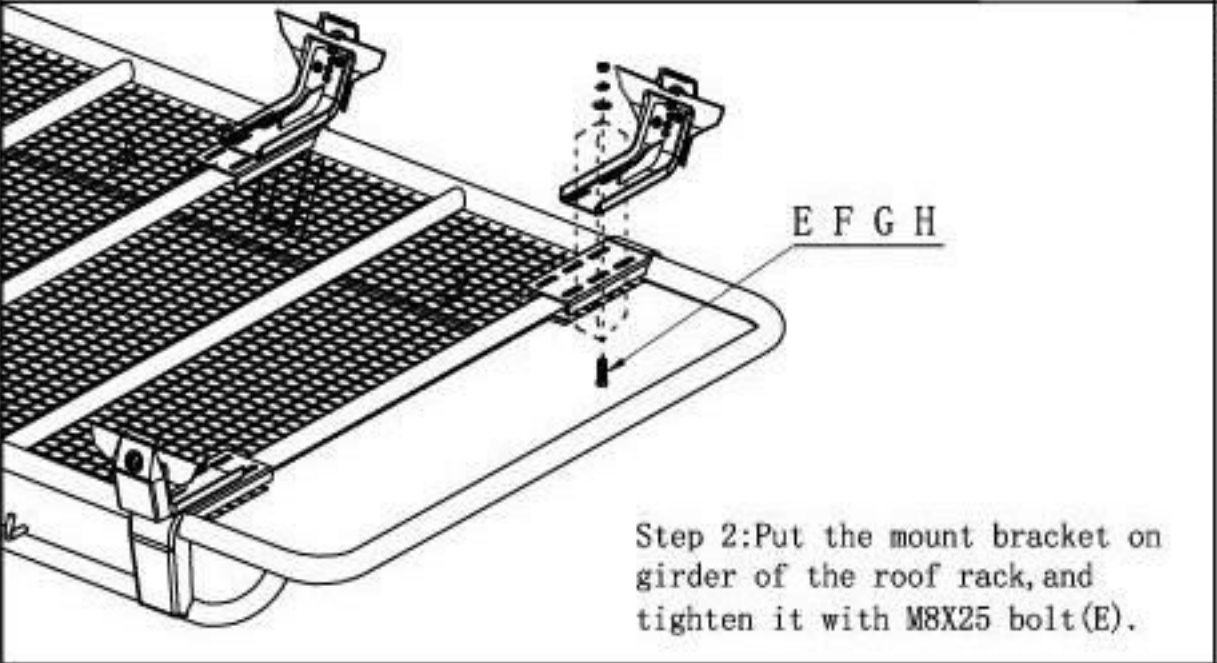
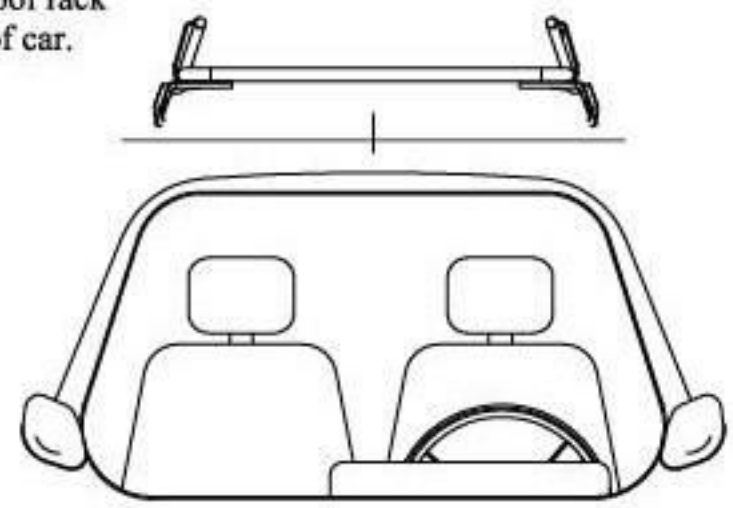


# RFD05 INSTRUCTION



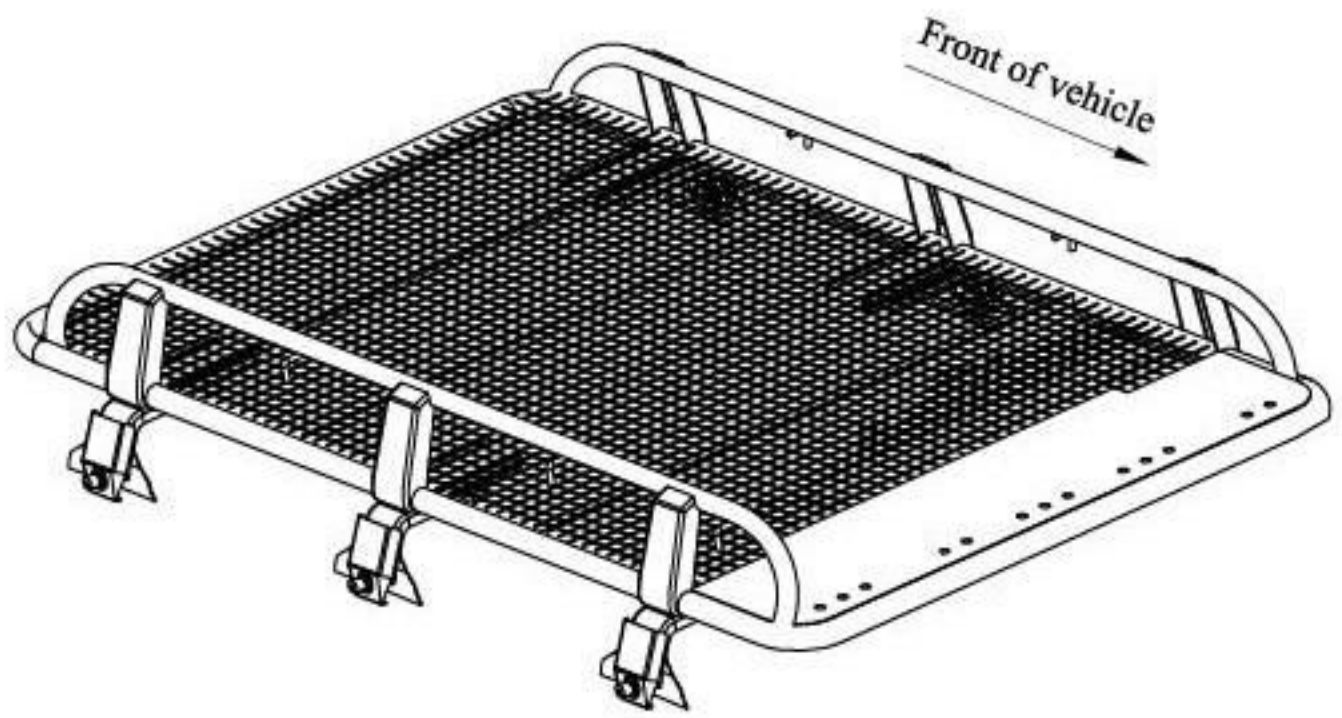
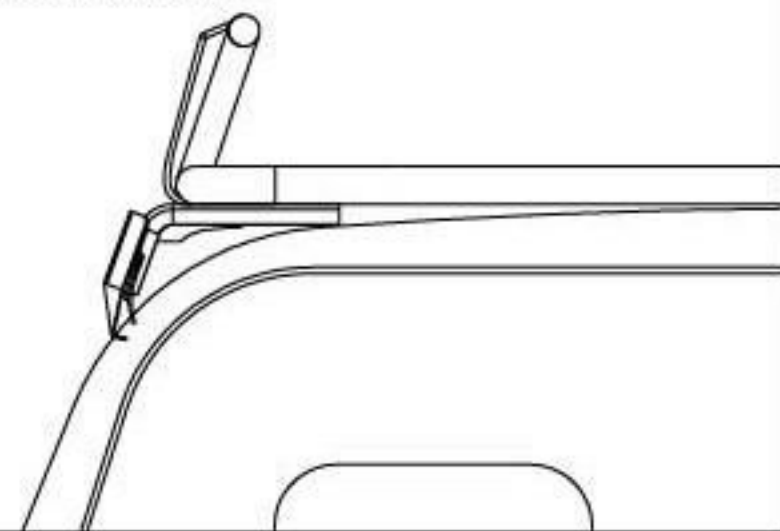
Step 1: Installation of mount bracket

**Step 3**  
Take the finished roof rack to the middle top of car.











Step 2: Put the mount bracket on girder of the roof rack, and tighten it with M8X25 bolt (E).

**Step 4**  
Loosen the bracket and put it into the rain gutter, then tighten it with wrench.



## Parts list:

 Ⓐ mount bracket 1 (6 pieces)	 Ⓑ mount bracket 2 (6 pieces)	 Ⓒ mount bracket 3 (6 pieces)	 Ⓓ M8X30 bolt (6 pieces)
 Ⓔ M8X25 bolt (36 pieces)	 Ⓕ M8 flat washer (42 pieces)	 Ⓖ M8 Lock washer (42 pieces)	 Ⓗ M8 nut (24 pieces)